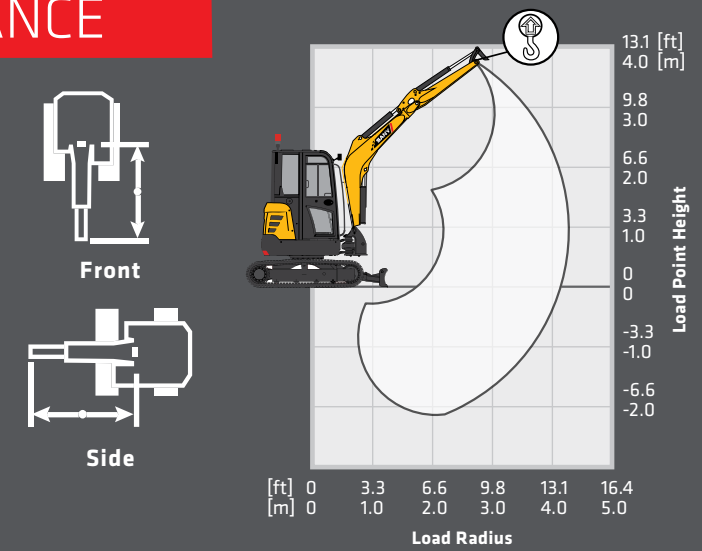


# SY26U LIFTING PERFORMANCE

Standard 6'11" (2 100 mm) Boom  
 Standard 4'3" (1 300 mm) Arm  
 Standard 12" (300 mm) Track Shoes  
 No Bucket

Ratings are based on ISO 10567:2007. Lift capacity does not exceed 75% of tipping load with the machine on firm, level ground or 87% of hydraulic lifting capacity.



## BLADE DOWN

LOAD RADIUS	6.6 ft 2.0 m		9.8 ft 3.0 m		13.1 ft 4.0 m		MAX REACH	
LOAD POINT HEIGHT								
13.1 ft 4.0 m							1,525 lb* 693 kg*	1,285 lb 584 kg
9.8 ft 3.0 m			1,373 lb* 623 kg*	1,034 lb 470 kg			1,188 lb* 540 kg*	803 lb 365 kg
6.6 ft 2.0 m			1,558 lb* 707 kg*	1,010 lb 459 kg	1,102 lb* 501 kg*	620 lb 282 kg	1,085 lb* 493 kg*	620 lb 282 kg
3.3 ft 1.0 m			2,061 lb* 937 kg*	926 lb 421 kg	1,577 lb* 717 kg*	603 lb 274 kg	1,115 lb* 507 kg*	563 lb 256 kg
0 ft 0 m	3,346 lb* 1 521 kg*	1,573 lb 715 kg	2,409 lb* 1 095 kg*	876 lb 398 kg	1,610 lb* 732 kg*	587 lb 267 kg	1,280 lb* 582 kg*	579 lb 263 kg
-3.3 ft -1.0 m	3,975 lb* 1 807 kg*	1,588 lb 722 kg	2,226 lb* 1 012 kg*	869 lb 395 kg			1,606 lb* 730 kg*	695 lb 316 kg
-6.6 ft -2.0 m	1,943 lb* 883 kg*	1,729 lb 786 kg					1,340 lb* 609 kg*	1,267 lb 576 kg

## BLADE UP

LOAD RADIUS	6.6 ft 2.0 m		9.8 ft 3.0 m		13.1 ft 4.0 m		MAX REACH	
LOAD POINT HEIGHT								
13.1 ft 4.0 m							1,525 lb* 693 kg*	1,285 lb 584 kg
9.8 ft 3.0 m			1,241 lb 564 kg	1,034 lb 470 kg			963 lb 438 kg	803 lb 365 kg
6.6 ft 2.0 m			1,208 lb 549 kg	1,010 lb 459 kg	748 lb 340 kg	620 lb 282 kg	748 lb 340 kg	620 lb 282 kg
3.3 ft 1.0 m			1,133 lb 515 kg	926 lb 421 kg	730 lb 332 kg	602 lb 274 kg	682 lb 310 kg	563 lb 256 kg
0 ft 0 m	2,002 lb 910 kg	1,573 lb 715 kg	1,074 lb 488 kg	876 lb 398 kg	713 lb 324 kg	587 lb 267 kg	704 lb 320 kg	579 lb 263 kg
-3.3 ft -1.0 m	2,017 lb 917 kg	1,588 lb 722 kg	1,067 lb 485 kg	869 lb 395 kg			847 lb 385 kg	695 lb 316 kg
-6.6 ft -2.0 m	1,943 lb* 883 kg*	1,729 lb 786 kg					1,340 lb* 609 kg*	1,267 lb 576 kg

\* Indicates load limited by hydraulic lifting capacity  
 In the interest of continual equipment development, SANY America Inc. reserves the right to change these specifications at any time without prior notification.

# SY26U PRODUCT SPECIFICATIONS SANY

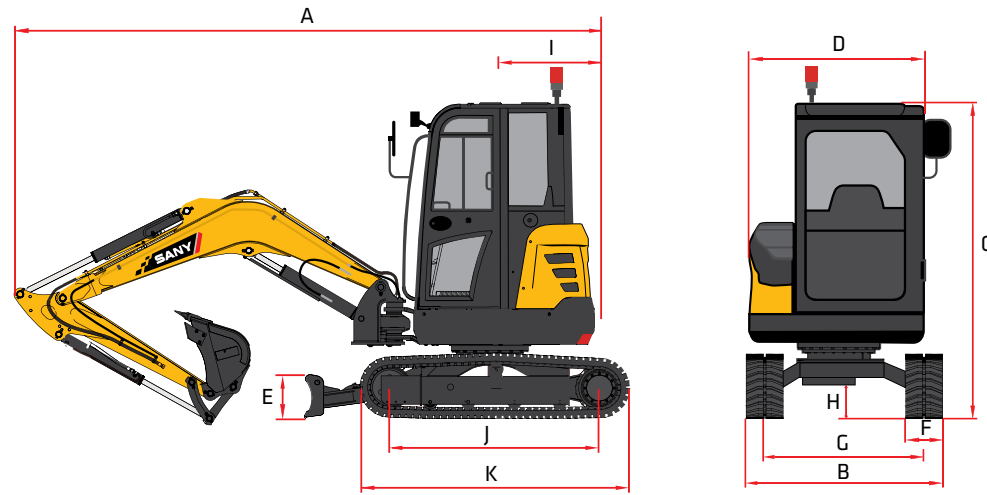


## STANDARD FEATURES

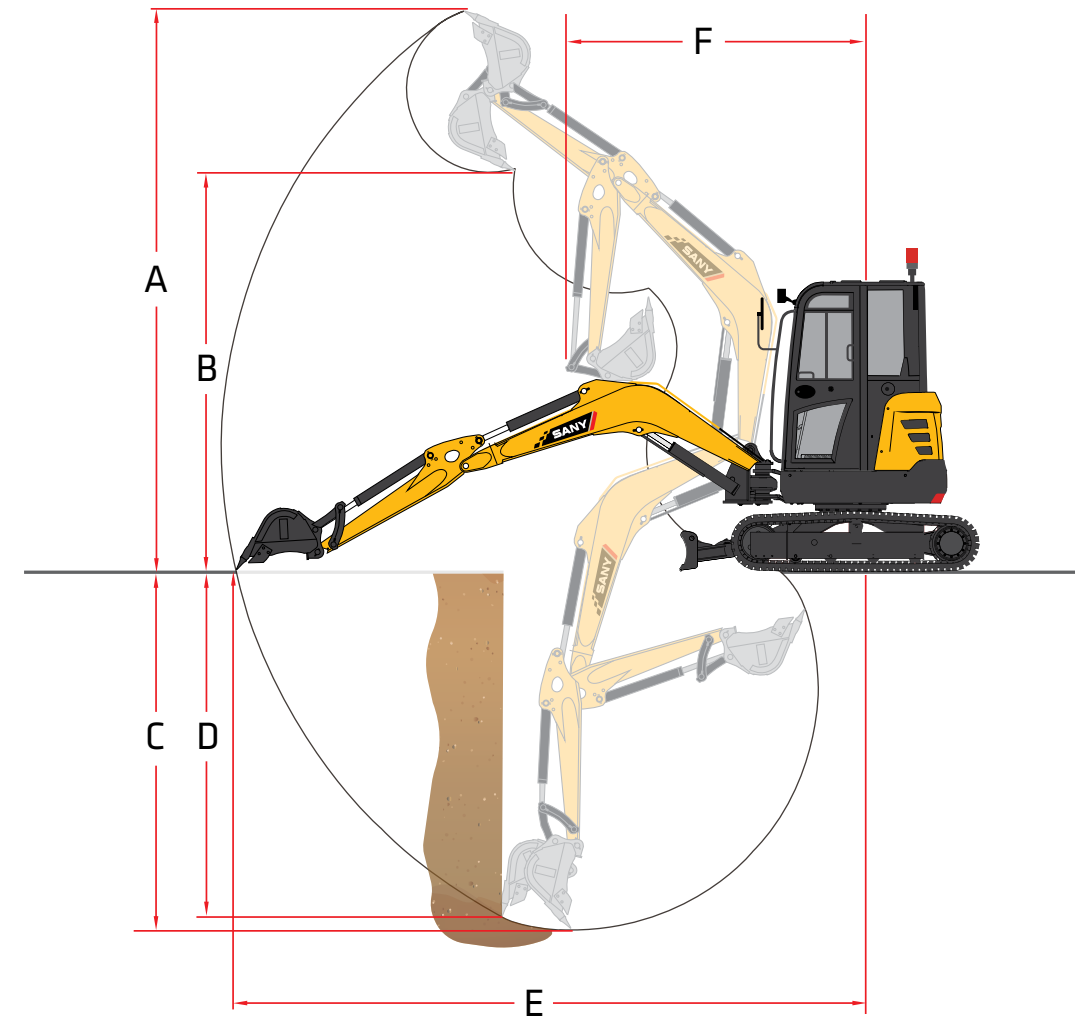
- Zero Tail Swing
- Boom Swing Functionality Allows for Offset Digging in Confined Areas
- Load-Sensing Hydraulic System Provides Increased Efficiency and Control
- Powerful Yanmar Engine

Gross Power	<b>19.6 hp</b>
Dig Depth	<b>9' 3"</b>
Operating Weight	<b>6,085 lb</b>
Bucket Breakout	<b>5,463 lbf</b>

DIMENSIONS



WORKING RANGE



Versatility and jobsite maneuverability in confined spaces

TECHNICAL SPECIFICATIONS

Operating Weight	6,085 lb	2 760 kg
Ground Pressure	3.7 psi	25.5 kPa
<b>Engine</b>	Yanmar 3TNV80F-SNSY	
Displacement	62.6 in <sup>3</sup>	1.0 L
Gross Power	19.6 HP	15.2 kW
<b>Hydraulics</b>	Load Sensing with Pilot Control	
Main Hydraulic Pump	Axial Piston - Variable Displacement	
Operating Flow (maximum)	19.0 gal/min	72.0 L/min
Operating Pressure (maximum)	3,553 psi	24.5 MPa
Auxiliary Flow (maximum)*	11 gal/min	42.5 L/min
Auxiliary Pressure (maximum)	3626 psi	25 MPa
<b>Travel Motor</b>	Axial Piston with Park Brake	
Travel Pressure (maximum)	3,553 psi	24.5 MPa
Travel Speeds (maximum)	1.5 / 2.8 mph	2.4 / 4.5 km/hr
Travel Effort (maximum)	4,496 lbf	20.0 kN
Grade Capability (maximum)	35°	
<b>Swing Motor</b>	Axial Piston with Swing Brake	
Swing Pressure (maximum)	2,843 psi	19.6 MPa
Swing Speed (maximum)	10 RPM	
<b>Undercarriage (standard)</b>	Belted Rubber Track	
Track Shoe Width (standard)	12"	300 mm
Track Rollers (per side)	3	
Carrier Rollers (per side)	1	

DIMENSIONS

Boom Length	6' 11"	2 100 mm
Stick (Arm) Length	4' 3"	1 300 mm
A Transport Length	14' 1"	4 285 mm
B Transport Width	5' 1"	1 550 mm
C Transport Height	8' 0"	2 430 mm
D Upper Structure Width	4' 6"	1 375 mm
E Blade Height	12"	300 mm
F Track Width (standard shoe)	12"	300 mm
G Track Gauge	4' 1"	1 250 mm
H Ground Clearance (minimum)	11"	290 mm
I Tail Swing Radius	2' 7"	775 mm
J Track Length on Ground	5' 1"	1 560 mm
K Track Length	6' 5"	1 960 mm

SERVICE REFILL CAPACITIES

Fuel Tank Capacity	9.0 gal	34.0 L
Hydraulic Tank Capacity	7.9 gal	30.0 L
Engine Oil Capacity	0.9 gal	3.4 L
Cooling System Capacity	1.1 gal	4.1 L

WORKING RANGE

Boom Length	6' 11"	2 100 mm
Stick (Arm) Length	4' 3"	1 300 mm
A Maximum Digging Height	14' 6"	4 410 mm
B Maximum Dumping Height	10' 2"	3 100 mm
C Maximum Digging Depth	9' 3"	2 820 mm
D Maximum Vertical Wall Digging Depth	8' 6"	2 585 mm
E Maximum Reach at Ground Level	15' 11"	4 850 mm
F Minimum Swing Radius	6' 11"	2 110 mm

DIGGING PERFORMANCE

Boom Length	6' 11"	2 100 mm
Stick (Arm) Length	4' 3"	1 300 mm
Bucket Breakout Force (ISO)	5,463 lbf	24.3 kN
Stick (Arm) Digging Force (ISO)	3,192 lbf	14.2 kN

\*Based on theoretical calculation at max flow with no load. Subject to alterations.  
 In the interest of continual equipment development, SANY America, Inc. reserves the right to change these specifications at any time without prior notification.  
 ©2022 SANY America Inc. HEXPS22SY26U001

In the interest of continual equipment development, SANY America, Inc. reserves the right to change these specifications at any time without prior notification.  
 ©2022 SANY America Inc. HEXPS22SY26U001